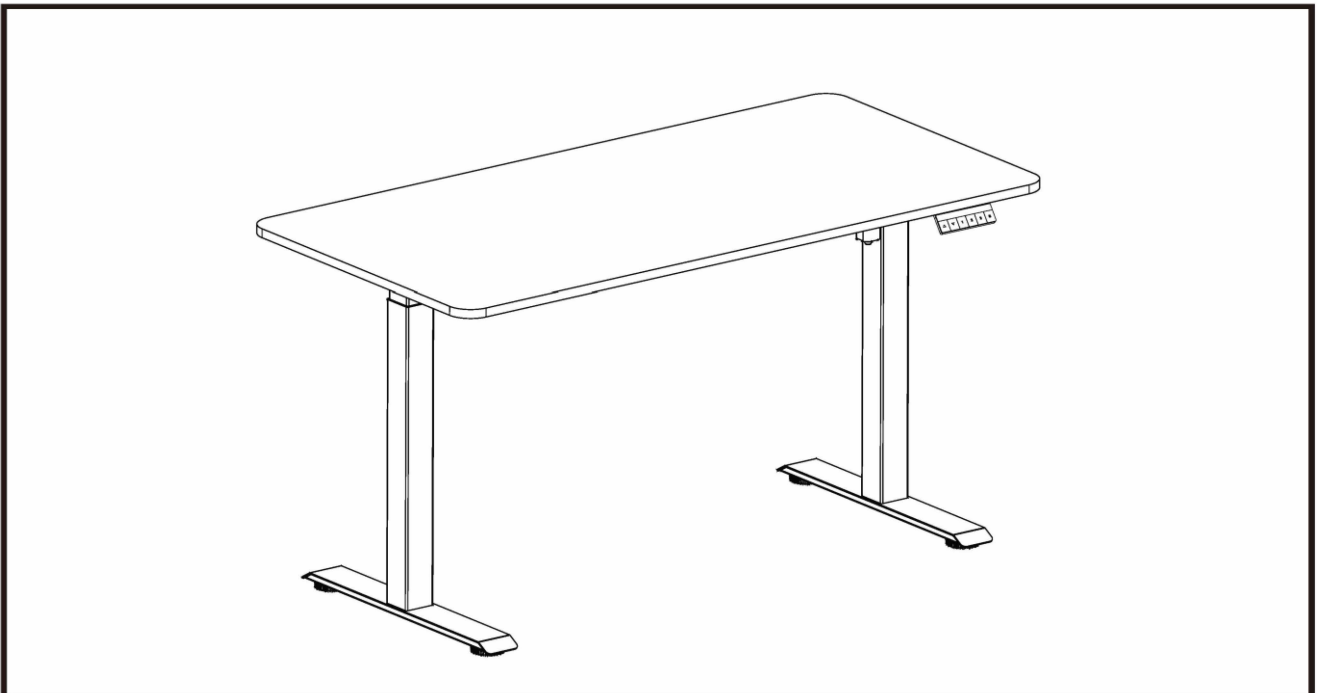


Electric Height Adjustable Desk 2-Leg  
Smart Plus

**User Guide**



**CAUTION**

**MAKE SURE NO OBSTACLES ARE IN THE DESK'S PATH AND ALL CORDS ARE OF APPROPRIATE LENGTH FOR DESK TRAVEL. FAILURE TO COMPLY WITH OR OBSERVE ALL ASSEMBLY, SAFETY, AND OPERATION INSTRUCTIONS AND WARNINGS REGARDING THE USE OF THIS PRODUCT MAY RESULT IN SERIOUS PROPERTY DAMAGE OR BODILY INJURY.**

**IMPORTANT**

Any user or installer of desk base must study this manual carefully.  
If this desk is sold, please provide the manual to the buyer.

## **▲ CAUTION:**

### **SAFETY AND WARNINGS**

- Inappropriate use of this product may cause property or bodily injury. Make sure that children, pets, etc. stay away from the product when the desk is in operation.
- Check the surroundings on all sides before using the desk. Make sure the desk does not touch the wall.
- Please unplug the power supply during lightning and when the product is not in use for a long time.
- Make sure NO obstacles are in the desk's path and no obstacles higher than 500 mm under the table. Body parts and property can be crushed if trapped between an immobile obstacle and the desk's range of motion.
- Keep the work environment temperature at 0-40 °C. And keep goods away from corrosive gases, liquids, and dusty objects.
- Ensure the length of power cords is accounted for when operating the desk. Monitors, computers, speakers, and anything with a cord that is not long enough for the desk's range of motion could be pulled down or have its wires broken. Items pulled off the desk may cause other items to fall.
- It is strictly forbidden to disassemble the product without permission, in order to prevent the product from malfunctioning and electronic products from causing harm to the human body.
- Please provide this operation to any users, installers, or support personnel operating the product. Read relevant operating instructions before using. The company does not take any responsibility for product damage and human body injury caused by the abnormal operations.

### **USAGE**

This desk height is adjustable so that it can be positioned at the most ergonomically suitable height. So people can work while sit or stand and improve a lot productivity. These desks are designed only for the purposes included in this manual.

They should not be used in environments with high humidity or dampness. Any other use is at the user's risk.

Do not move around, crawl or lie under the desk frame. Do not sit or stand on the desk frame.

Children should never use the desk unless they are supervised by adults.

Liability: Under no circumstances does the manufacturer accept warranty claims or liability claims for damages caused by improper use handling of the desk frame other than that which is described in this operation manual.

## **SETUP AND INSTALLATION**

Once the desk has been assembled, adjust the feet so that the desk is level and does not shift its position. After this, connect the desk to the 110v or 240v outlet and the desk is ready for use.

Check that no cables can get jammed.

Choose a placement for the desk that's a safe distance from window frames, radiators, furniture, etc. So that people do not get stuck or trapped by the desk.

Do not place any objects that are taller than 50cm(20'') underneath the desk. After it has been assembled, when moving the desk, **DO NOT** lift the desk by the desktop. Lifting this way can stress the fasteners connecting the desk base to the desktop. Lower the desk completely and lift the desk by grabbing the top of the desk base or by removing the desktop first.

## **SAFETY AND WARNINGS**

This desk height is adjustable so that it can be positioned at the most ergonomically suitable height. These desks are designed only for the purposes included in this manual. They should not be used in environments with high humidity or dampness. Any other use is at the user's risk.

Do not move around, crawl or lie under the desk frame. Do not sit or stand on the desk frame.

Children should never use the desk unless they are supervised by adults.

Liability: Under no circumstances does the manufacturer accept warranty claims or liability claims for damages caused by improper use handling of the desk frame other than that which is described in this operation manual.

### **Maintenance:**

Taking care of the motor will prevent any glitches. And It can also prolong the life of the motor.

- Avoid interrupting the desk while in motion

While some standing desks are equipped with an anti-collision feature, it's not a good idea to overuse this feature. Intentionally stopping the desk whilst in motion can do a number on the motor. So reserve these "interruptions" for emergency purposes only.

- Avoid spilling liquids on the motor

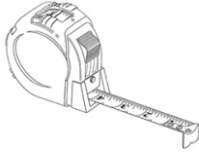
This can happen if your drink topples over and the liquids start to spill and spread everywhere.

If your desk suddenly stops working, you may try to reset it. Unplug the desk from the power source and hold the down button for 10 seconds.

If the resetting is to no avail, contact your manufacturer immediately. Don't try to pry open the motor and fix it yourself. You might mess up with the motor's components. And it may affect the warranty of the product.

## 4. PARTS LIST

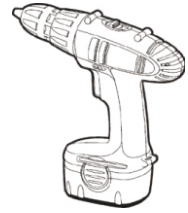
### Tools Required



Tape Measure



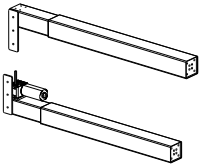
Philips Head Screwdriver



Power Drill

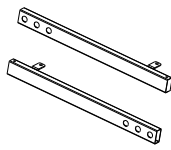
### Components

1



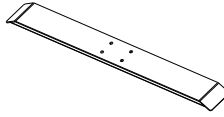
Lifting Column \*2

2



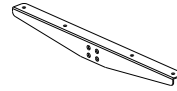
Crossbar End \*2

3



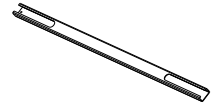
Foot \*2

4



Side Bracket \*2

5



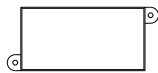
Crossbar Center Rails \*1

6



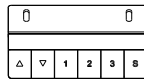
Hanger \*1

7



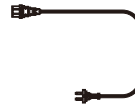
Adapter \*1

8



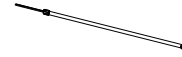
Handset \*1

9



Wires \*1

10



Motor Rod \*1

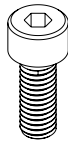
### Hardware

A



Qty 6  
M6X12  
Screws

B



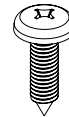
Qty 8  
M6X16  
Screws

C



Qty 8  
M6X8  
Screws

D



Qty 6  
M5X18  
Screws

E



Qty 2  
M5X14  
Screws

F



4mm  
Allen  
Wrench

G



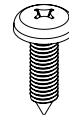
Qty\*1  
Glue  
Pad

H



Qty 5  
Cable  
Clips

I

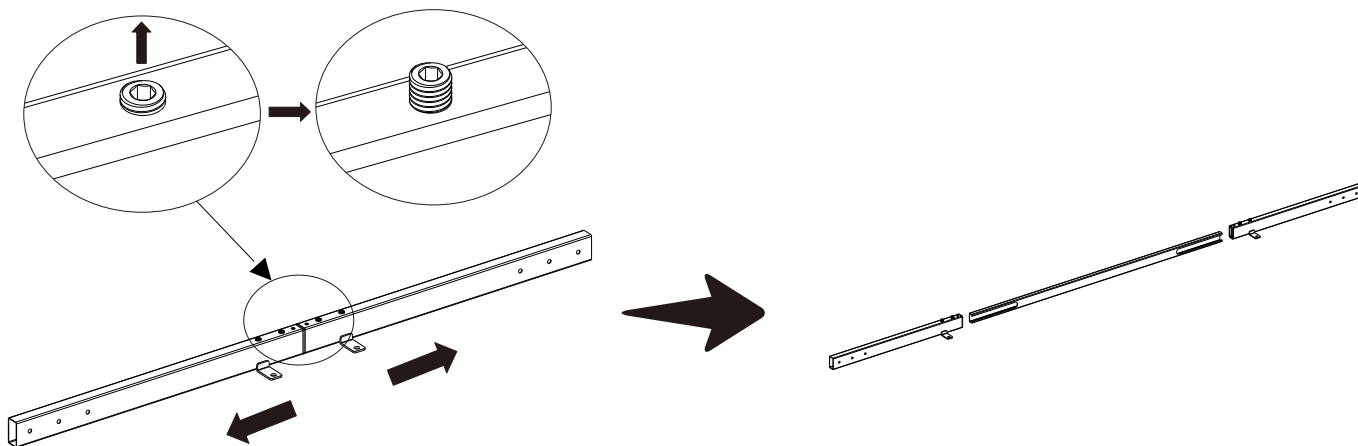


Qty 2  
M4X16  
Screws

## 5. ASSEMBLY INSTRUCTIONS

### 1 Pull out the frame

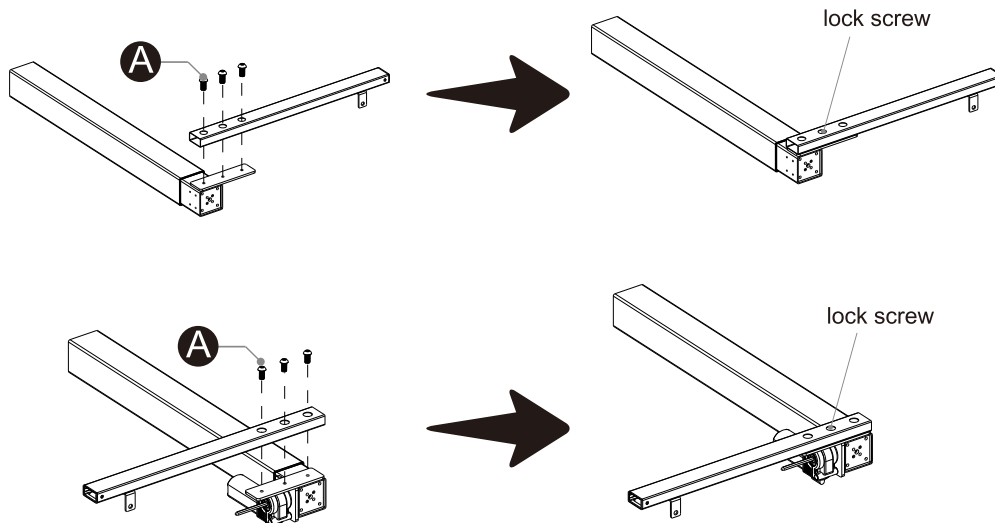
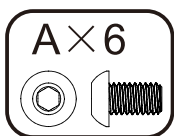
- a** Loosen the screw under the frame. Lay out all components and hardware to ensure that you have all the parts.
- b** Lay the Crossbar End out flat on the floor, slide the frame out evenly from both sides.
- c** Slide crossbar center rails out of Crossbar ends.



Do not unscrew the screws completely.

### 2 Attach legs to Frame

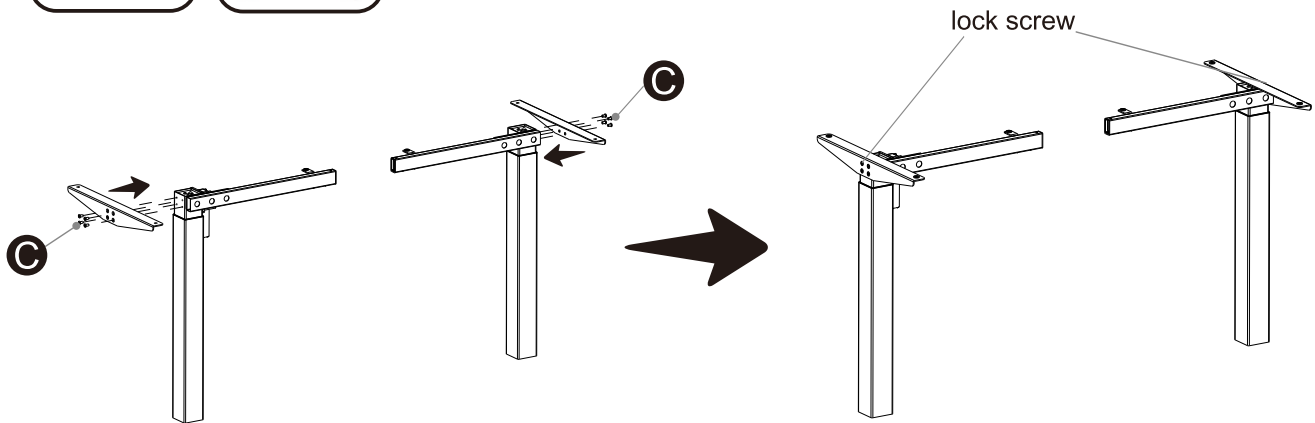
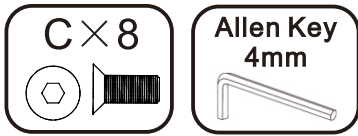
- a** Align the crossbar end to the lifting column, Insert the M6×12 mm screws(A), and tighten it.
- b** Repeat for the other side.




Avoid over-tightening the screws to damage the product.

### 3 Attach Side Bracket

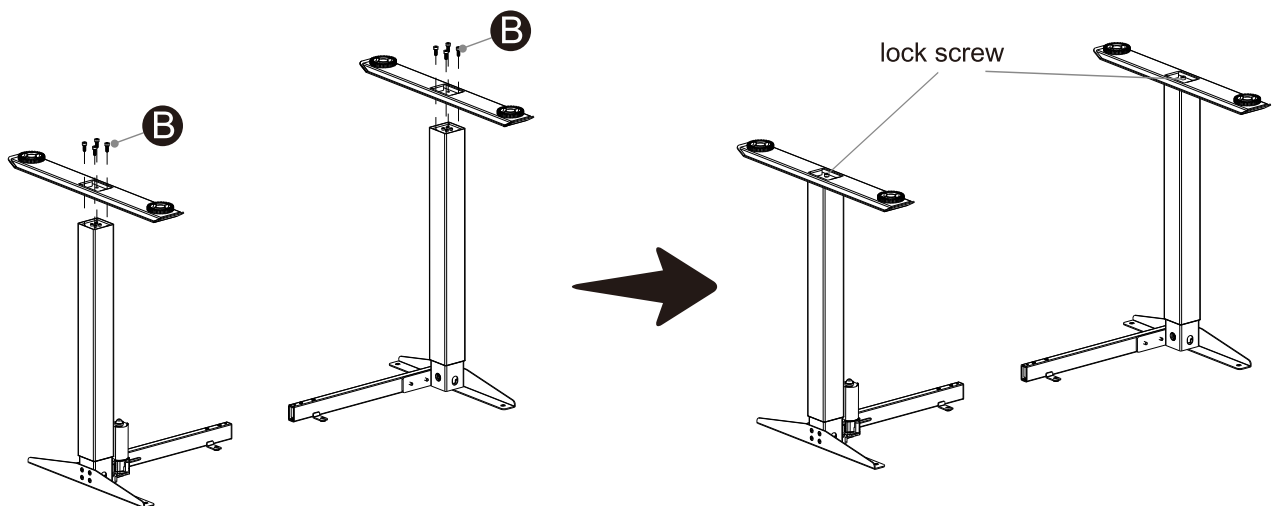
- a Line up the two holes on the side bracket with the Crossbar End .  
Insert four M6×8 mm screws(C)and tighten it.
- b Repeat for the other side.




 Avoid over-tightening the screws to damage the product.

### 4 Attach Foot

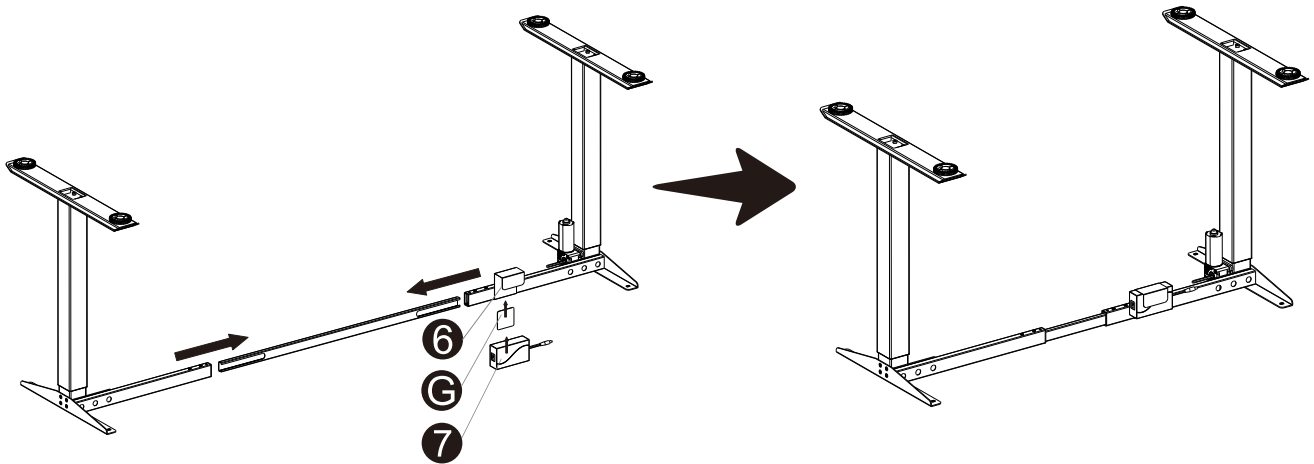
- a Align the foot with the lift column, and insert four M6×16 mm(B) into the holes under the feet, tighten it.
- b Repeat for the other side.



 Avoid over-tightening the screws to damage the product.

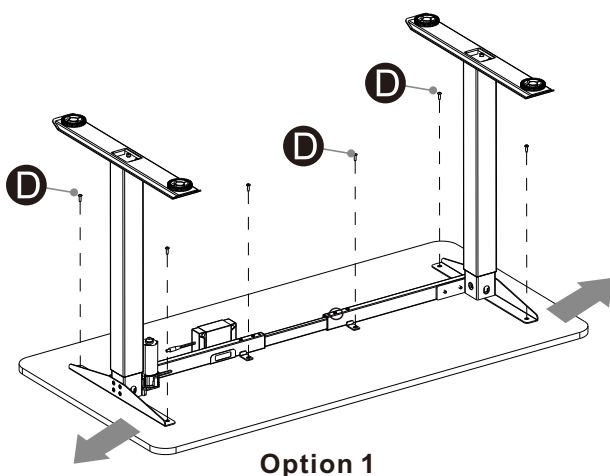
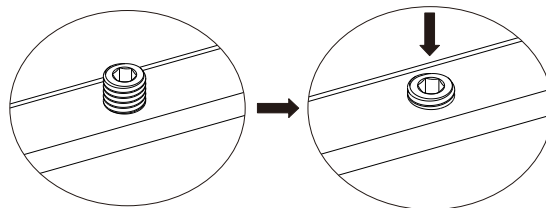
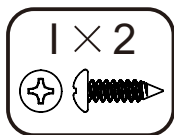
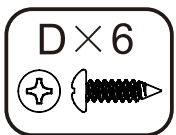
## 5 Merge the frame

- a Slide Crossbar Center Rails back into Crossbar Ends. Ensure the slots of the Crossbar Center Rails are facing inward.
- b **Option 1:** First, stick Glue Pad(G) onto adapter(7), insert hanger(6) into the crossbar and put the adapter(7) in the hanger(6).

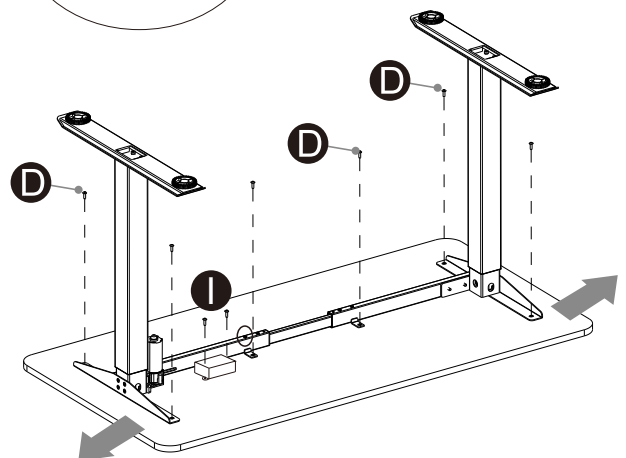


## 6 Attach Frame Set to tabletop

- a Place the bottom of the tabletop on the underside of the installed frame, stretch the frame. It is recommended that the frame side boards at both ends be 50mm away from the edge of the table board, and fasten with M5×18 mm screws(D) .
- b **Option 2:** Attach the adapter (7) to the tabletop plate with M4x16mm(I) screws.

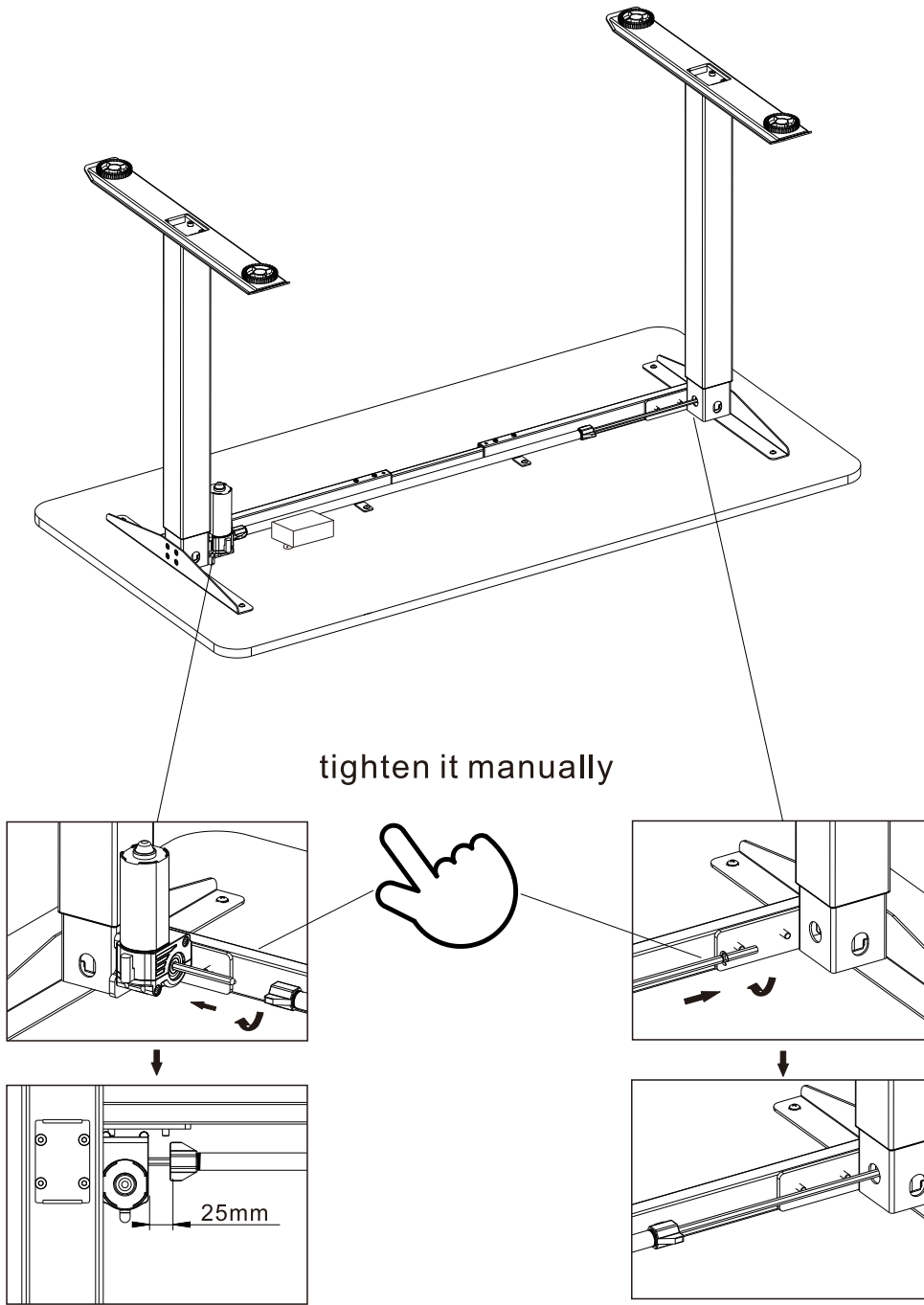


Option 1



Option 2

## 7 Assemble the Motor Rod



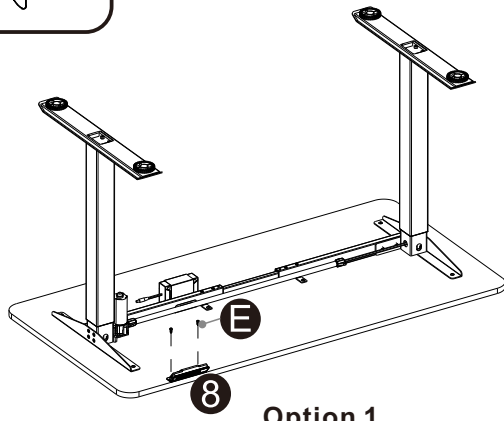
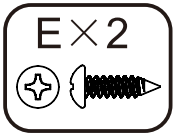
Please keep at least **25mm** distance between the motor rod and motor.

Please insert motor rod into the gear box completely, under the help of circlip.

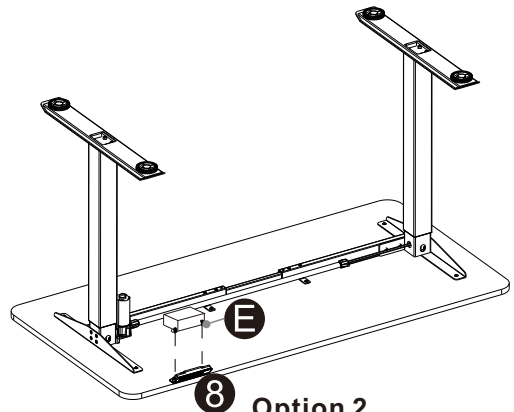


## 8 Attach Handset


- a** Attach the Handset(8) to the tabletop plate with M5×14mm(E) screws.



Option 1

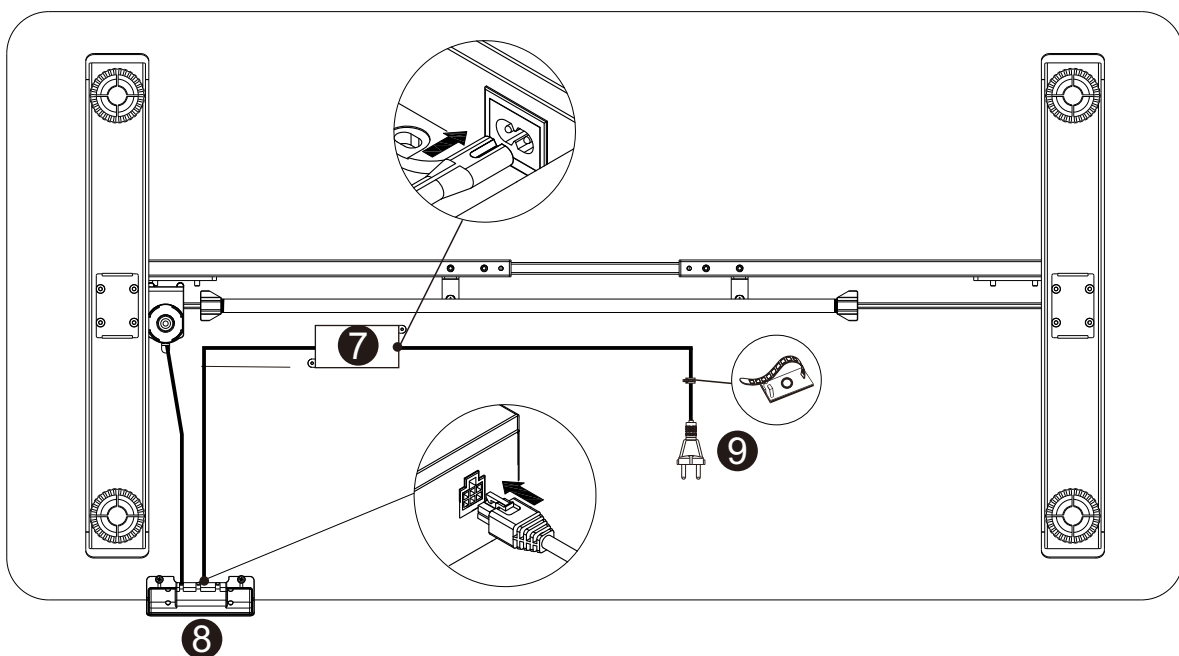


Option 2

 Avoid over-tightening the screws to damage the product.

## 9 Attach Connect Cables

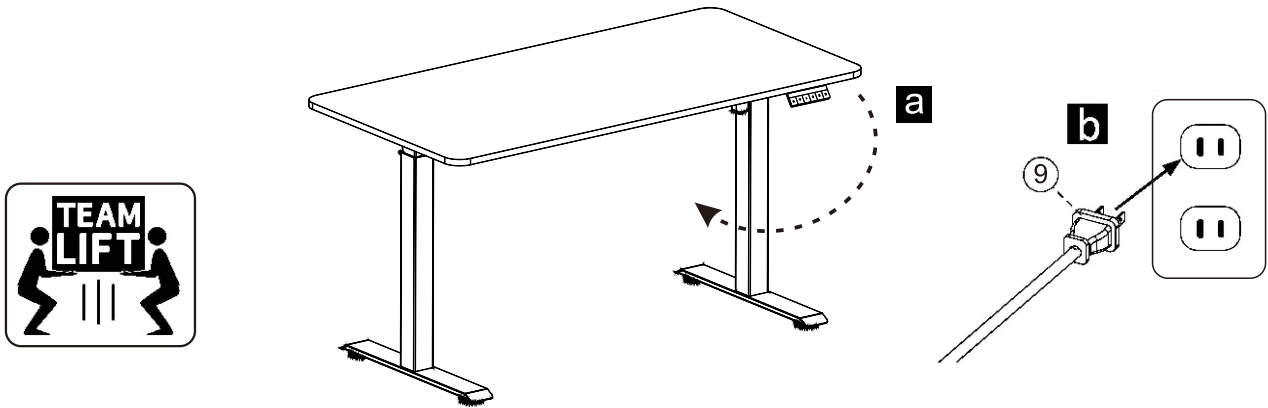
- a** Connect the line pulled from lifting column to Adapter (7)M1.
- b** Connect the outgoing lines from the Handset (8) to the Adapter(7) HS port.
- c** Connect power cable (9) to Adapter(7) AC port.



---

## 10 Put desk Upright and Connect Power Cord to the Power Supply

- a** With the desk at its lowest height, turn the assembled desk right-side up with the help of at least two people.
- b** Plug the Power Cord(9) into a 110–240v outlet.



NOTE: Grab the desk Frame (not the desktop and turn the desk right-side up.

Use at least two people.

CAUTION, the desk is very heavy!

---

## 11 Adjust Leveling Studs

If necessary, adjust the leveling studs to level the desk.

Unscrew to increase height, screw in to decrease height.

---

## 12 Initialize

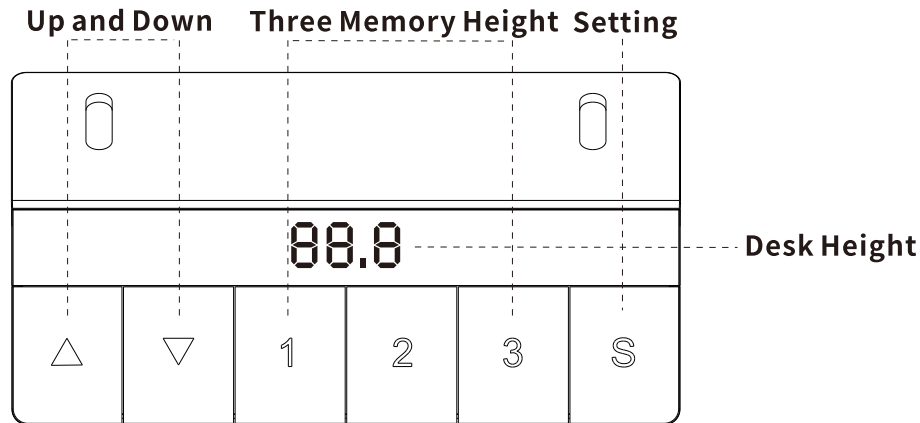
- a** Press "▼" button until desk reaches the lowest position.
- b** Press "▼" 5 seconds until there is a beep sound heard, the desk reset successful. Your desk is ready to use.



You must complete this initialization step or your workcenter will NOT function properly.

Hold down the down arrow until workcenter moves slightly upwards!

# Operation Guide



## ***Before Plugging the table into the outlet, make sure that***

- The lift columns are level and set at the lowest position.
- All the screws are tightened, to avoid the desk making noise and wobbling.

### ***1. Memory desired height***

- Select the desired height with the up or down button
- Press the “S” button, a flashing S- will be displayed
- Press position button (1.2 or 3)
- The desired position is saved

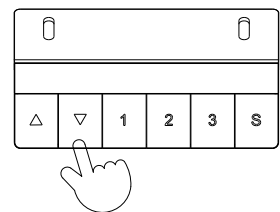
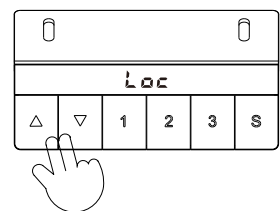
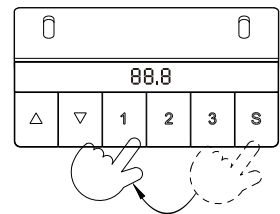
### ***2. Advanced Safety feature- lock and unlock the table***

- Press the UP and DOWN buttons simultaneously for approx. 5 seconds
- <LOC> is shown in the display
- All buttons are disabled and locked
- By repeatedly pressing the UP and DOWN buttons, the buttons are reactivated and the lock is lifted

### ***3. Reset the table***

**When display show Error code or RST,  
Please reset the table.**

- Unplug the power cord from the control box.
- Unplug the cable that links the keypad to the control box.
- Wait 30 minutes and plug all the cables in again.



Press by holding  
10-15 seconds

Do the reset:

- Press the DOWN button and hold it for 10 to 15 seconds until the table moves down and up slightly.

**When the display shows HOT, unplug the power for about 15 seconds.**

**Reason: Overload from constantly operating the table**

**Allow the controller to cool down for a few minutes before continuing work.**

#### 4. Important!

Important! In order to save the set parameters, the S key must be pressed after the change until IIIII appears in the display.

Only then are the settings made saved.

#### The internal parameters and installation height settings

By long pressing the < S > button (approx. 10 seconds) you get to the settings menu. By pressing the S button you can select and change another setting parameter.

To change the settings, press the UP or DOWN button

1	Unit of measure	0 for cm / 1 for inches
2	xx,x	Setting the minimum limit value, the table lowers to the set value
3	xx,x	Setting the maximum limit value, the table rises to the set value
4	02,0	Setting with the table top thickness. The setting with the top edge of the table is shown in the display. The default value is 02.0. You can change the value using the UP or DOWN key.
5	PC	Sensitivity setting of rising current in case of obstacle protection 0= switched off 3= normal 5= most sensitive
6	DC	Sensitivity setting of down current in case of obstacle protection 0= switched off 3= normal 5= most sensitive
7	PA	Sensitivity setting of rising gyroscope in case of obstacle protection 0= switched off 3= normal 5= most sensitive

